



SET UP GUIDE

NRSW6-8GP

Website: www.qtechdistribution.com

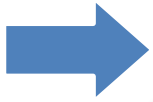
Email: contact@qtechdistribution.com

Phone: +91 7400434543

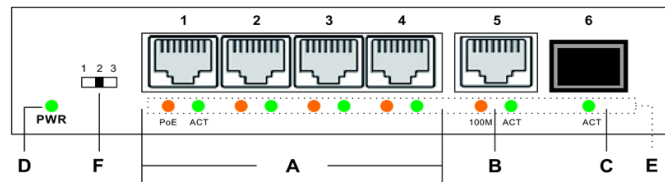
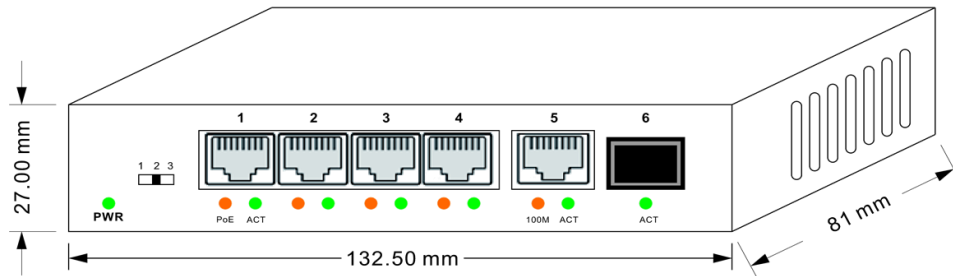
Product Overview

Feature

- ◆ 4x10/100/1000 Base-T + 1x10/100/1000 Base-T uplink port + 1x1000 Base-X SFP port
 - ◆ Support PoE management: PoE enable/disable, PoE reboot
 - ◆ Support Extend (250M) PoE configuration
 - ◆ Support VLAN, QoS, MAC etc management functions
 - ◆ Support customization to private cloud
 - ◆ 4KV surge protection
 - ◆ Wide working temperature: -10°C to +55°C
-
- ◆ Packing List
 - ◆ Please kindly check the following items:
 - ◆ 1 x PoE switch
 - ◆ Power adaptor
 - ◆ Mounting Kits (Optional)
 - ◆ 1 x User guide



Technical Structure and Port Description



A: 4x 10/100/1000Mbps RJ45 Port with PoE
C: Gigabit SFP Uplink Port
E: Port ACT LED Indicator
G: Reset Key

B: Gigabit RJ45 Uplink Port
D: Power LED Indicator
F: DIP Switch
H: DC Power Input (48~57VDC)

➔ Panel Description

Indicator	Status	Description
System Indicator : SYS	Green LED ON	System work as normal
	Green LED Blink	System work as normal
	Green LED OFF	System abnormal or power off
PoE Indicator : PoE	Yellow LED ON	Connected PD device, powering properly
	Yellow LED OFF	No connection PD or power off
Link Indicator : Link	Green LED ON	Data transmission properly
	Green LED Blink	Connection is OK and data is being sent and received
	Green LED OFF	No connected device
SFP uplink Indicator :	Green LED ON	Data transmission properly
	Green LED Blink	Connection is OK and data is being sent and received
	Green LED OFF	No data connected

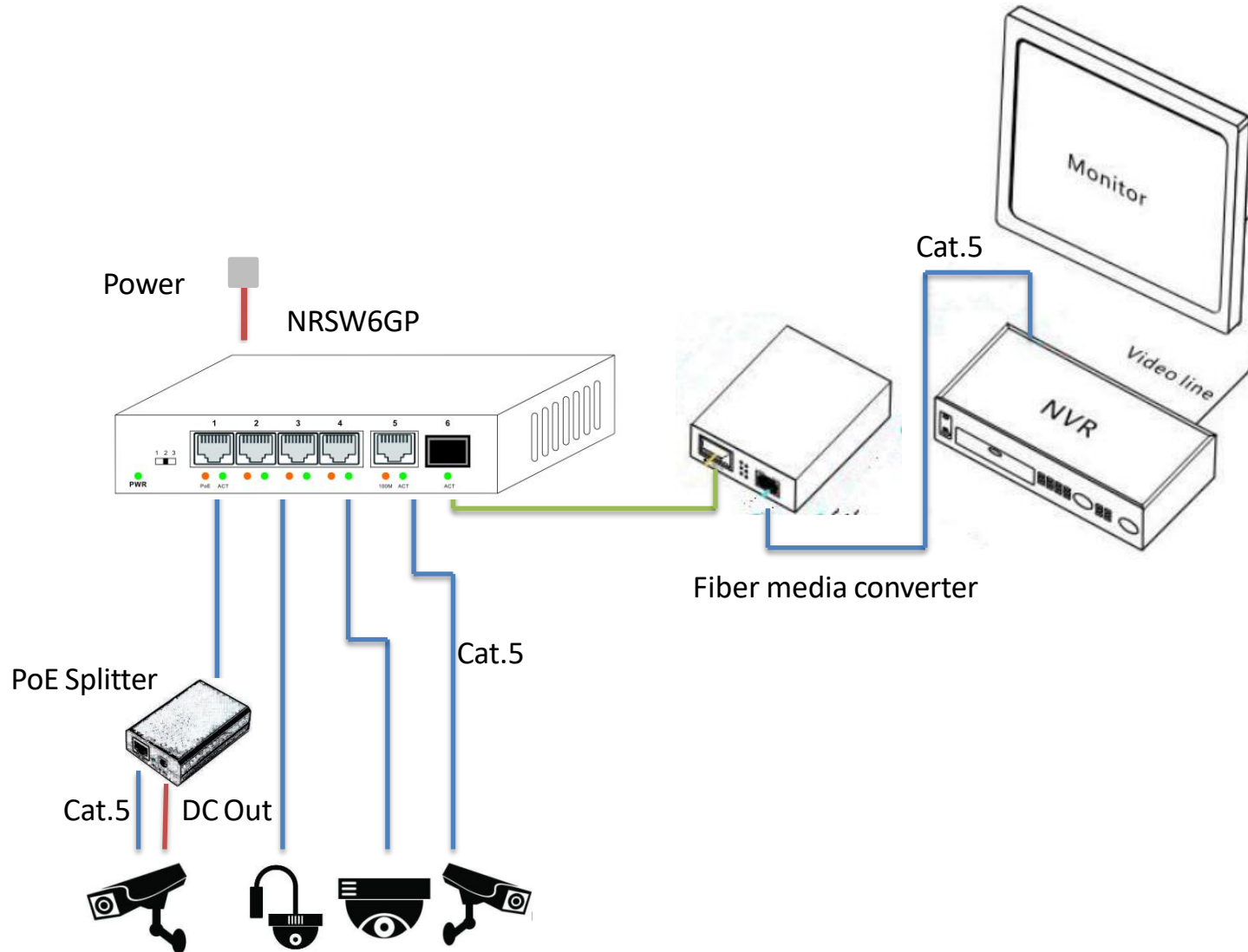


Note: please confirm that the all PoE ports of PD devices are complying with IEEE802.3af/at standard.

Power: 48 VDC(46~57VDC). (More than 50 VDC recommended when used PoE+ output.)

PoE Port: The PoE ports support PoE function, which can transmit data and power simultaneously if connected matching device. The LED lights on the front panel can show working status of each port.

➔ Connection Diagram



Installation Help

Installation Please confirm the following things before installation:

1. If the PoE port meets the power requirement of the connecting devices.
2. If the PoE standard requirement and power supply matches with the power receiving device (1/2+, 3/6-(End-span), 4/5+, 7/8-(Mid-span))
3. If the output power of the matched power adapter is compatible with the specification in the label of the PoE switch

Please install the PoE switch according to the following steps:

1. Put the PoE switch on the surface of a large and stable table, or professional installation rack mount
2. Connect Positive, Minus and earth terminals as indicators on the power adapter.
3. Connect the Network devices to the PoE switch port through network cable.



Note

1. Please don't put heavy products on the PoE switch, and please ensure good ventilation environment for the PoE switch.
2. Please cut off the power first before plugging the power adapter.

Power

Connect the power cable, plug it into power socket, turn on the power, then the switch will automatically initialize, and LED lights status will display as following:

1. Except the PoE port lights, all the other lights will go through the process of "on-off-on-off", which means the system restoration is successful.
2. Power LED remains lit.